

300 SERIES STAINLESS STEEL 2/2 NC PILOT ACTING SOLENOID VALVE 1 1/2" NPT

TECHNICAL INFORMATION:

MEDIA: COMPRESSED AIR, WATER, VACUUM, AND OTHER INERT GASES
(FOR USE WITH OTHER MEDIA CONSULT CUSTOMER SERVICE.)

AMBIENT TEMPERATURE: -20 C TO +50 C

RELATIVE DUTY CYCLE: 100%

INSULATION CLASS: F (ACC. TO DIN VDE 580)

DEGREE OF PROTECTION: 1P65 (DUST TIGHT & WATER TIGHT)

MATERIALS:

ARMATURE TUBE: SPECIAL CUSTOM MADE CORROSION RESISTANT CR-NI-STEEL

PLUNGER : ELECTROLESS NICKEL PLATED STEEL

EPOXY MOLDED COIL

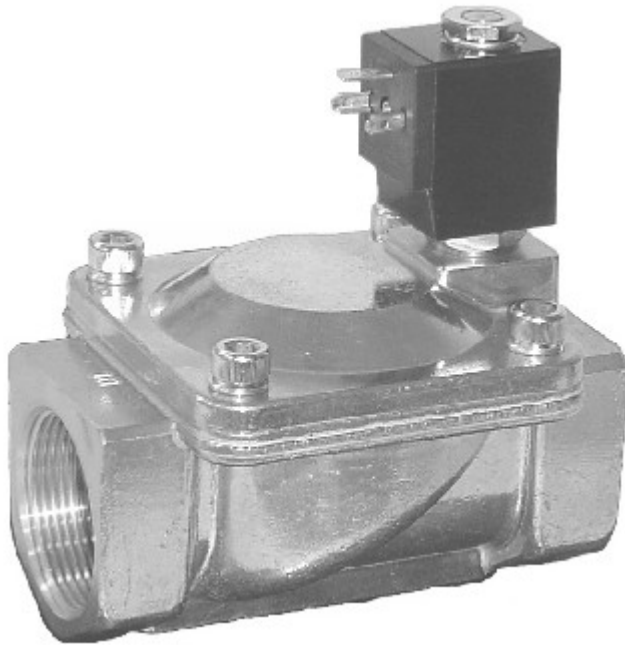
POWER CONSUMPTION: 15W DC & 22VA/50HZ - 19VA/60HZ

SEALS: VITON (DIAPHRAGM)

BODY: BRASS

STANDARD VOLTAGES: 110VAC, 220VAC, 12VDC, & 24VDC

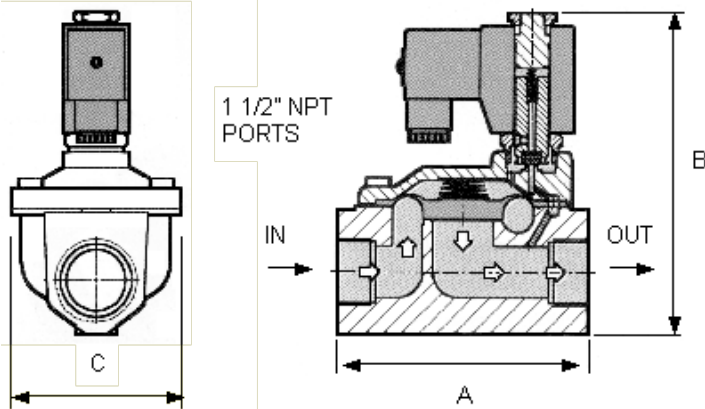
VOLTAGE TOLERANCE: +/- 10%



FUNCTION	ORIFICE SIZE mm	PRESSURE PSI MAX.	FLOW FACTOR Cv	ADD VOLTAGE TO GET PART NUMBER EX: 325-110VAC
2/2 NC	38	7 - 140	30	325-

*** NOTE: FOR STAINLESS STEEL VERSION USE PREFIX "SS" EXAMPLE: SS224 - 120 VAC**
NOTE: SHOWN WITH TYPE 2 DIN CONNECTOR
(CONNECTOR MUST BE ORDERED SEPARTELY)

NOTE: SHOWN WITH TYPE 2 DIN CONNECTOR
(CONNECTOR MUST BE ORDERED SEPARATELY)



DIMENSIONS	A	B	C
IN MILLIMETERS	160	160	112

- COIL CAN BE ROTATED 360 DEGREES
- COIL CAN BE CHANGED UNDER PRESSURE
- FAST RESPONSE
- ABLE TO HANDLE MORE PRESSURE THAN DIRECT ACTING
- INSTALLATION: SLANT PIPE OR WATER LEVEL
- DIE CAST BRASS BODY
- AVAILABLE IN STAINLESS STEEL VERSION